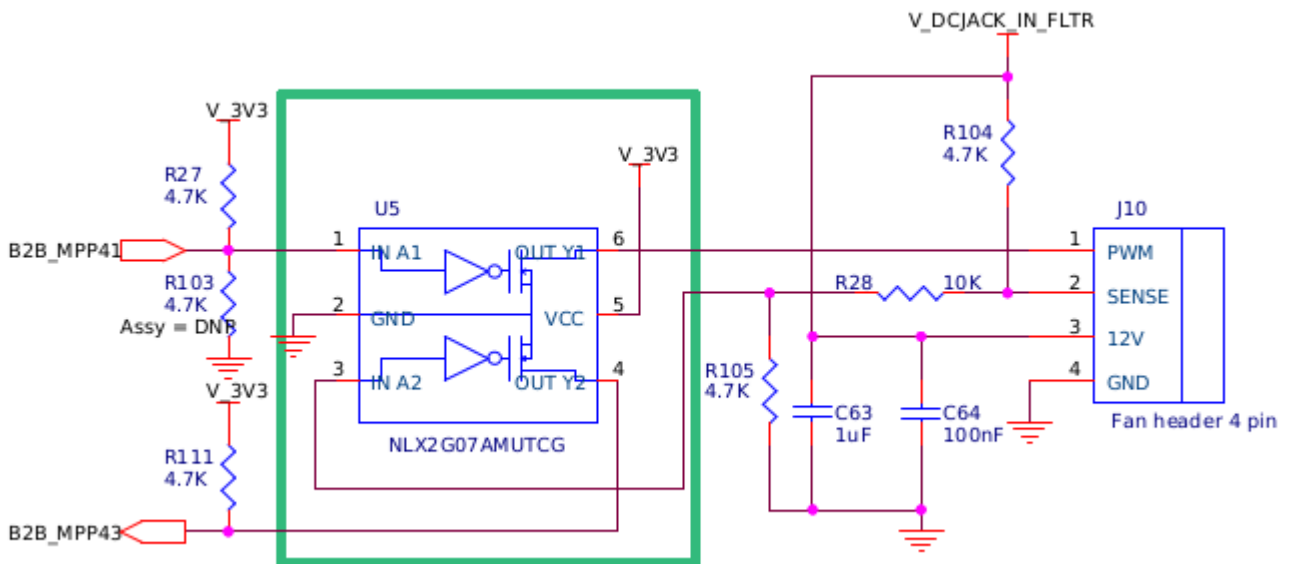


Date of publication: April 22nd, 2019

Product: Helios4

Helios4 design was modified to provide better isolation between Fan control signals and the ARMADA 388 SoC GPIO pins. The change is motivated by few reports of product damage to the said SoC GPIO pins during wrong manipulation.



Description of Changes

Electrical

To be in line with 4-wire PWM Fan specifications which requires the PWM pin to be open-drain and 5V tolerant, a non-inverting buffer has been added for each GPIO PWM pin as shown in the schematic above.

Mechanical

No change

Software

No change

Transition

Helios4 revision will be bumped to rev 1.2.