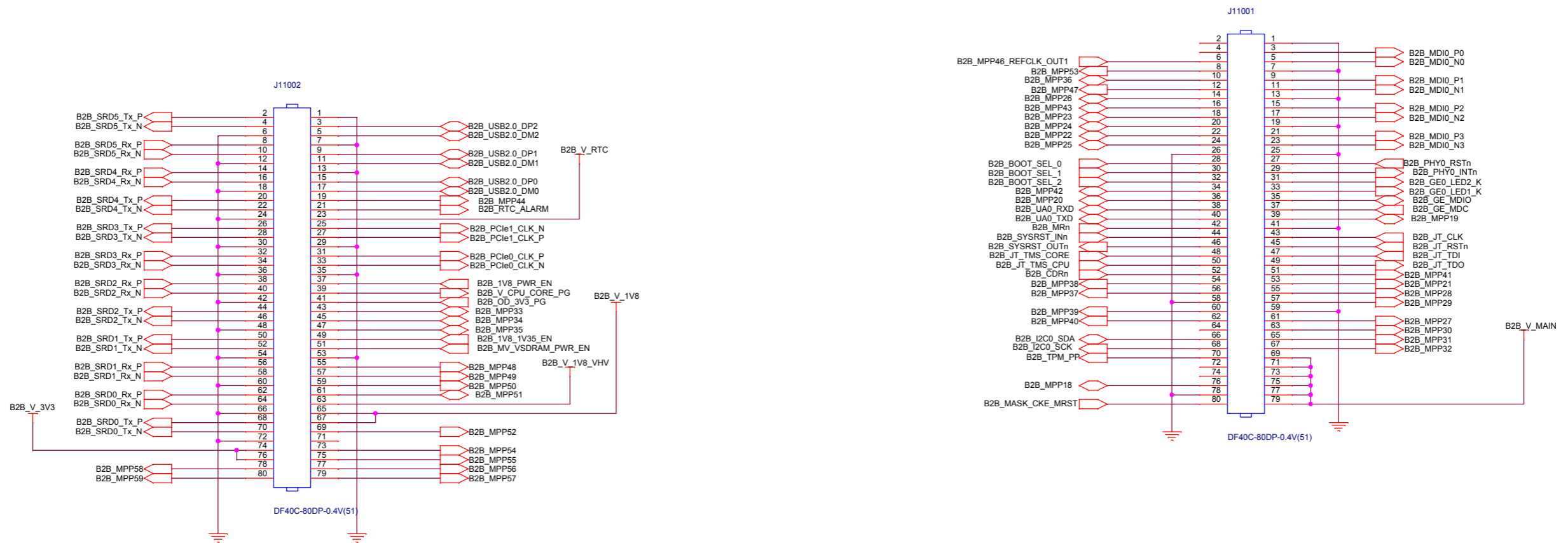


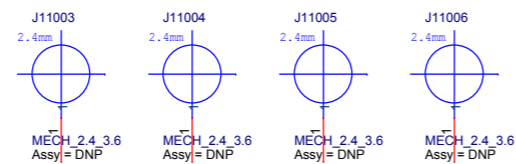
SolidRun Armada 38x MicroSoM



Main Assembly Options:

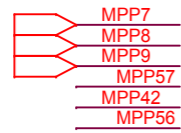
- DNP - Do Not Place
- GE0_PHY - Ethernet PHY
- SPI_ROM - Boot ROM
- I2C_ROM - User defined I2C small ROM
- eMMC - Embedded flash. This option disconnects SDIO from Board-to-Board (see page-2)
- TPM - Trusted Platform Module

Mechanical holes on four corners of uSoM

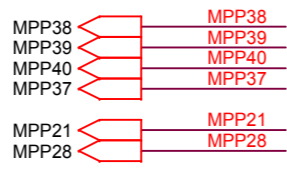
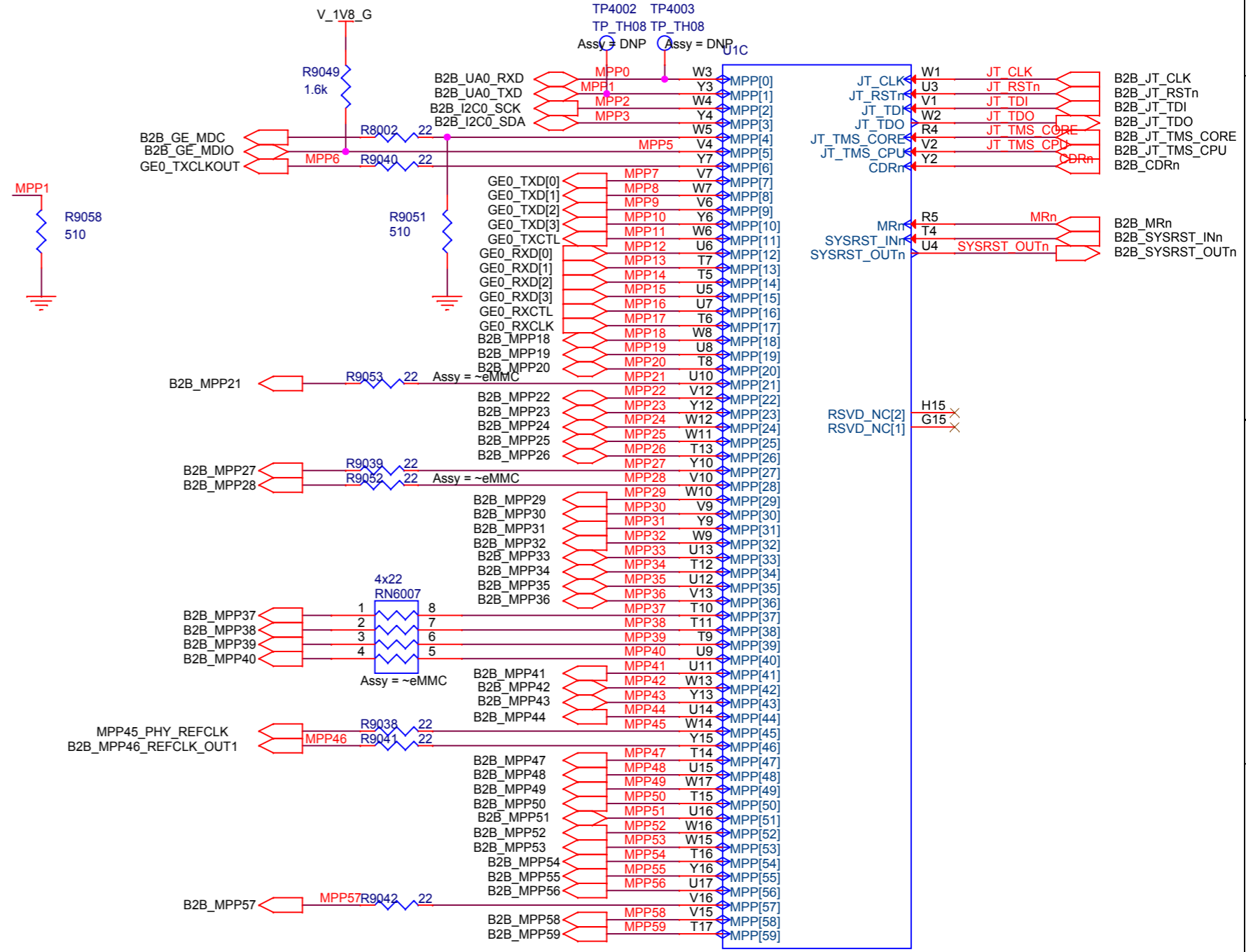
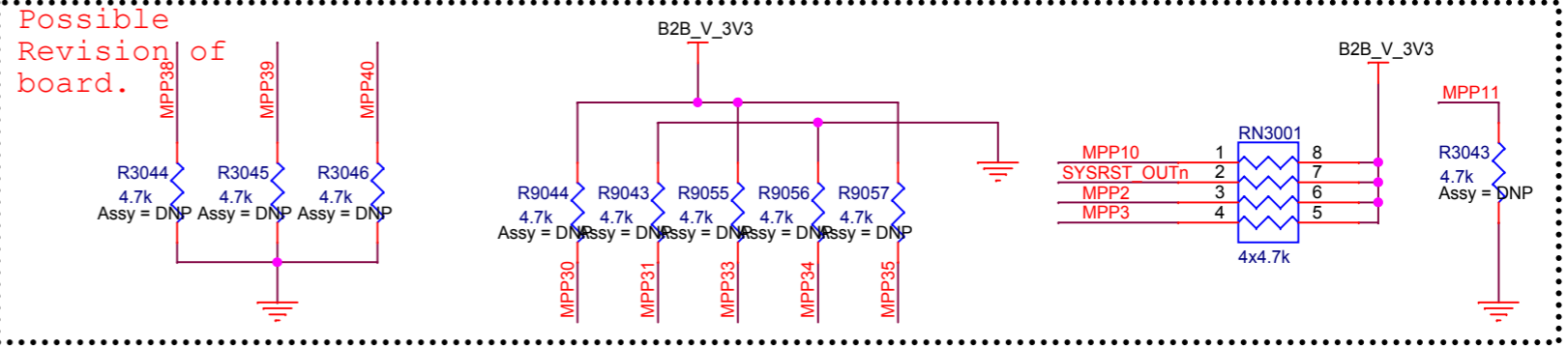


88F6820 MPPs

B2B_BOOT_SEL_0
B2B_BOOT_SEL_1
B2B_BOOT_SEL_2



Do not load these signals.
Pull-up/Pull-down must be
placed next to B2B pins

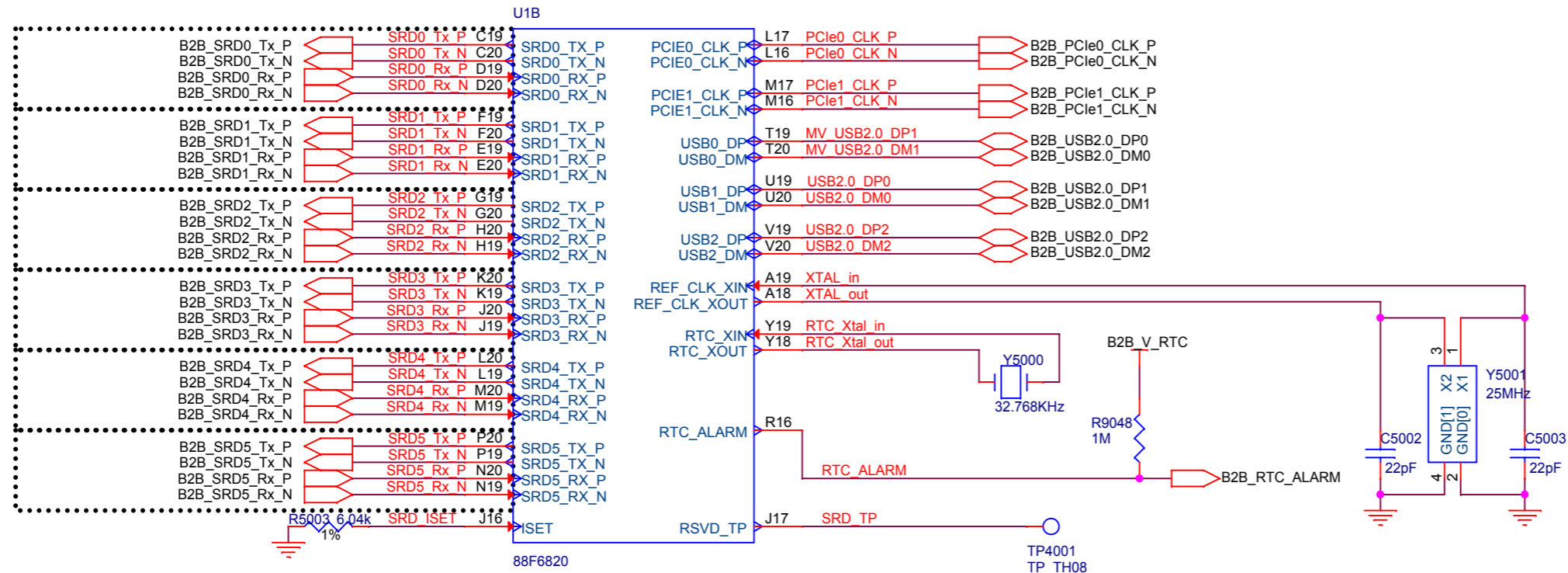


88F6820

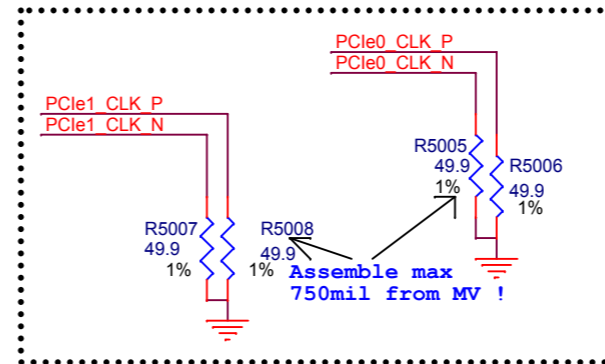
Copyright (c) 2015 SolidRun Ltd.
Released under Creative Commons Attribution 3.0 Unported License
All Rights Reserved

Size	Title	Rev
B	SolidRun Armada 38x MicroSoM	Rev-2.0
Date:	Wednesday, October 28, 2015	Sheet 2 of 6

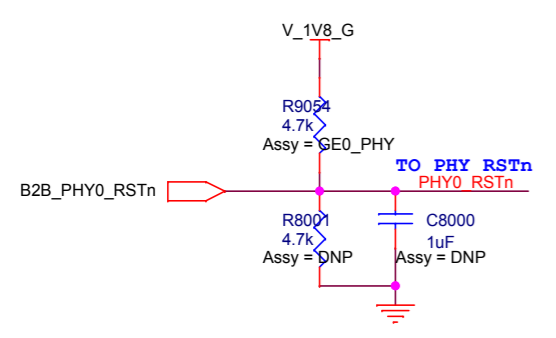
88F6820 SERDES & USB2.0



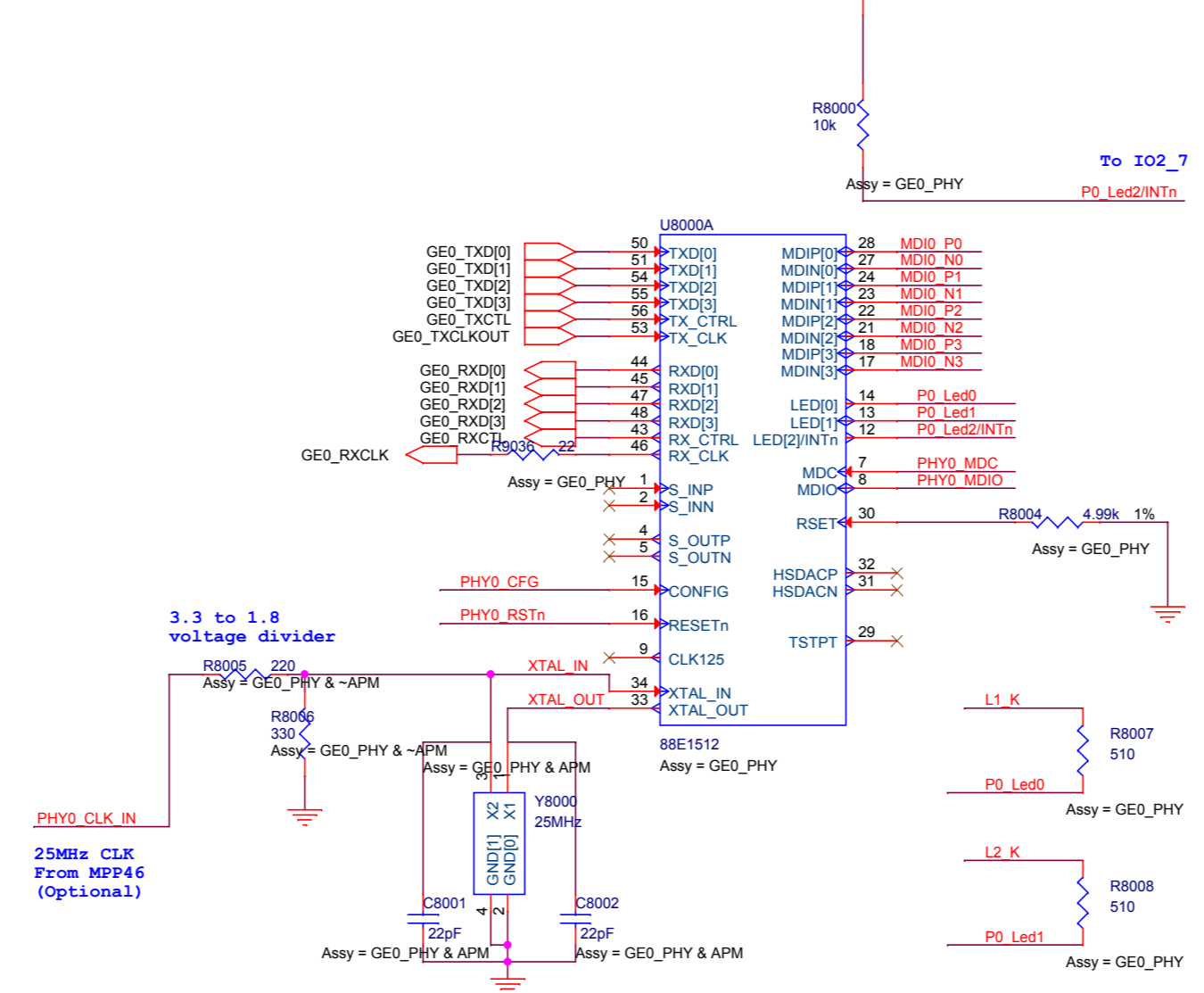
Analog reference current.
This pin must be tied to a 6.04 kilohm +/-1% pull-down resistor... Please near pin



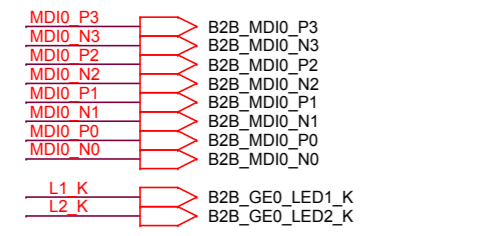
PHY RESET Options:



PHY0 - RGMII0 Function as GE0 Port



MDIO/LEDs Interface to Board-to-Board



PHY interrupt to IO2_7



25MHz CLK From MPP46 (Optional)



MDC/MDIO from 88F6820



PHYADD configuration

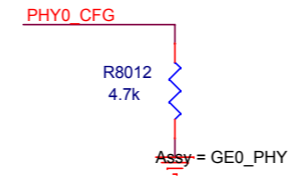
88E1512 PHY configuration options:
PHY_address=1

Table 53: Configuration Mapping

Pin	CONFIG Bit1	CONFIG Bit 0	Value Assignment
CONFIG 0	0	0	PHYAD[0] = 0 VDDO_LEVEL ¹ = 3.3V
CONFIG 1	1	1	PHYAD[0] = 1 VDDO_LEVEL ¹ = 3.3V
CONFIG 1	0	0	PHYAD[0] = 0 VDDO_LEVEL ¹ = 2.5V
CONFIG 0	1	1	PHYAD[0] = 1 VDDO_LEVEL ¹ = 2.5V

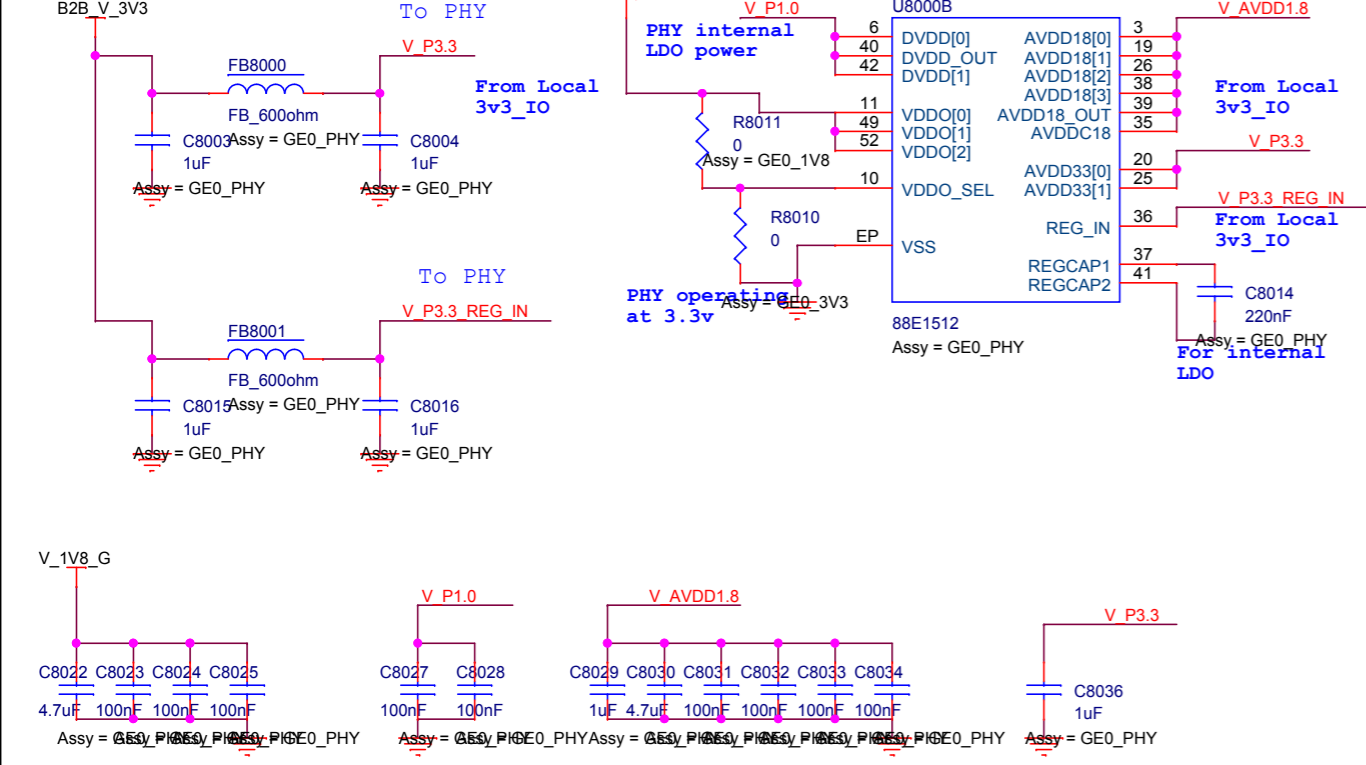
1. This is valid only for 88E1510/88E1512. For 88E1518, the VDDO_LEVEL is fixed at 1.8V, hence the bit mapping for VDDO_LEVEL is ignored.

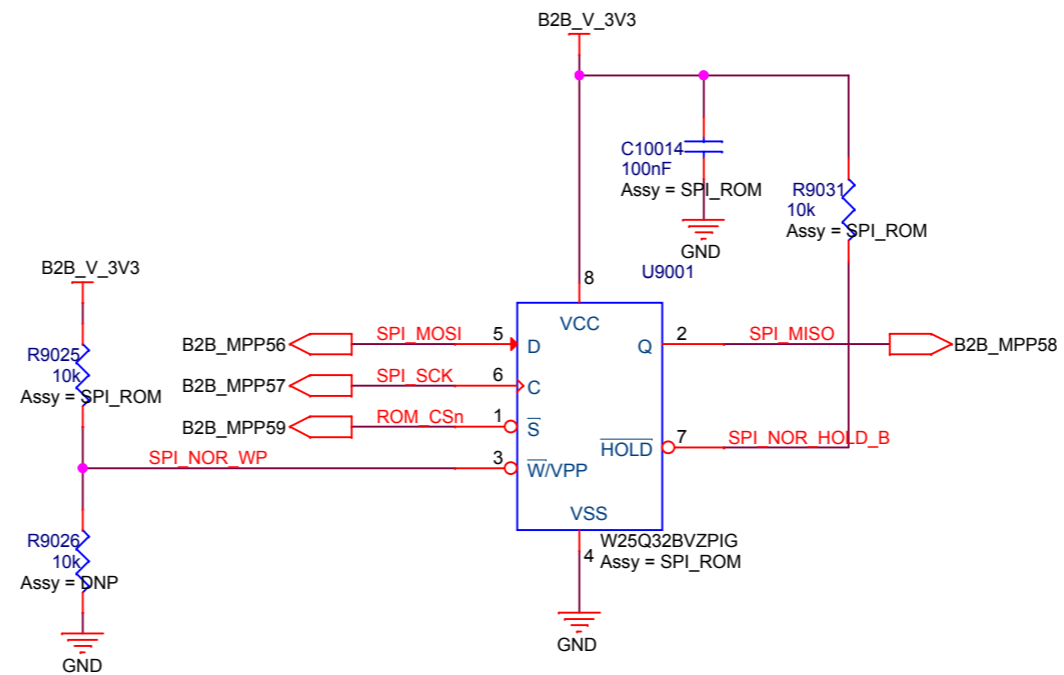
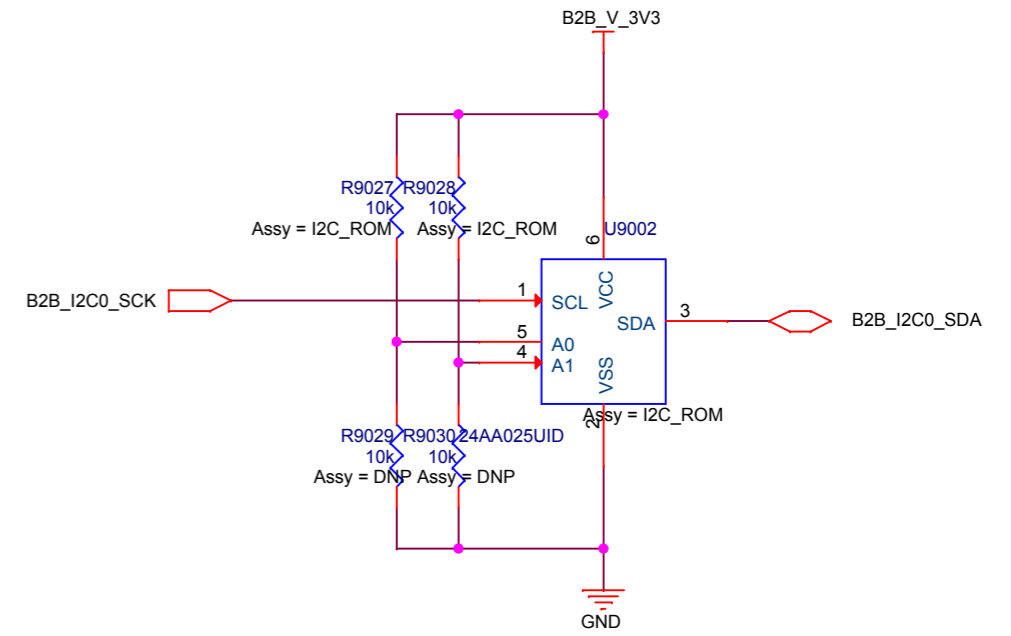
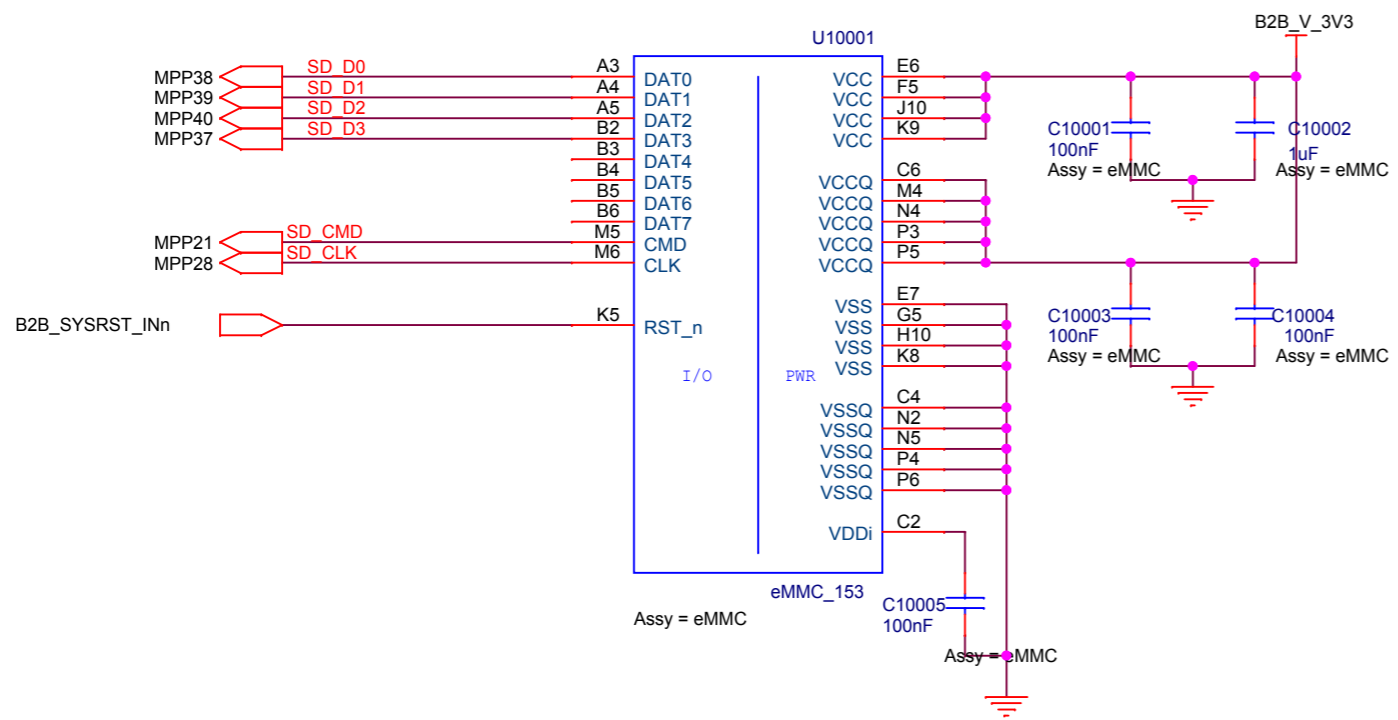
- PHYADD=0
- VDDO=3.3v

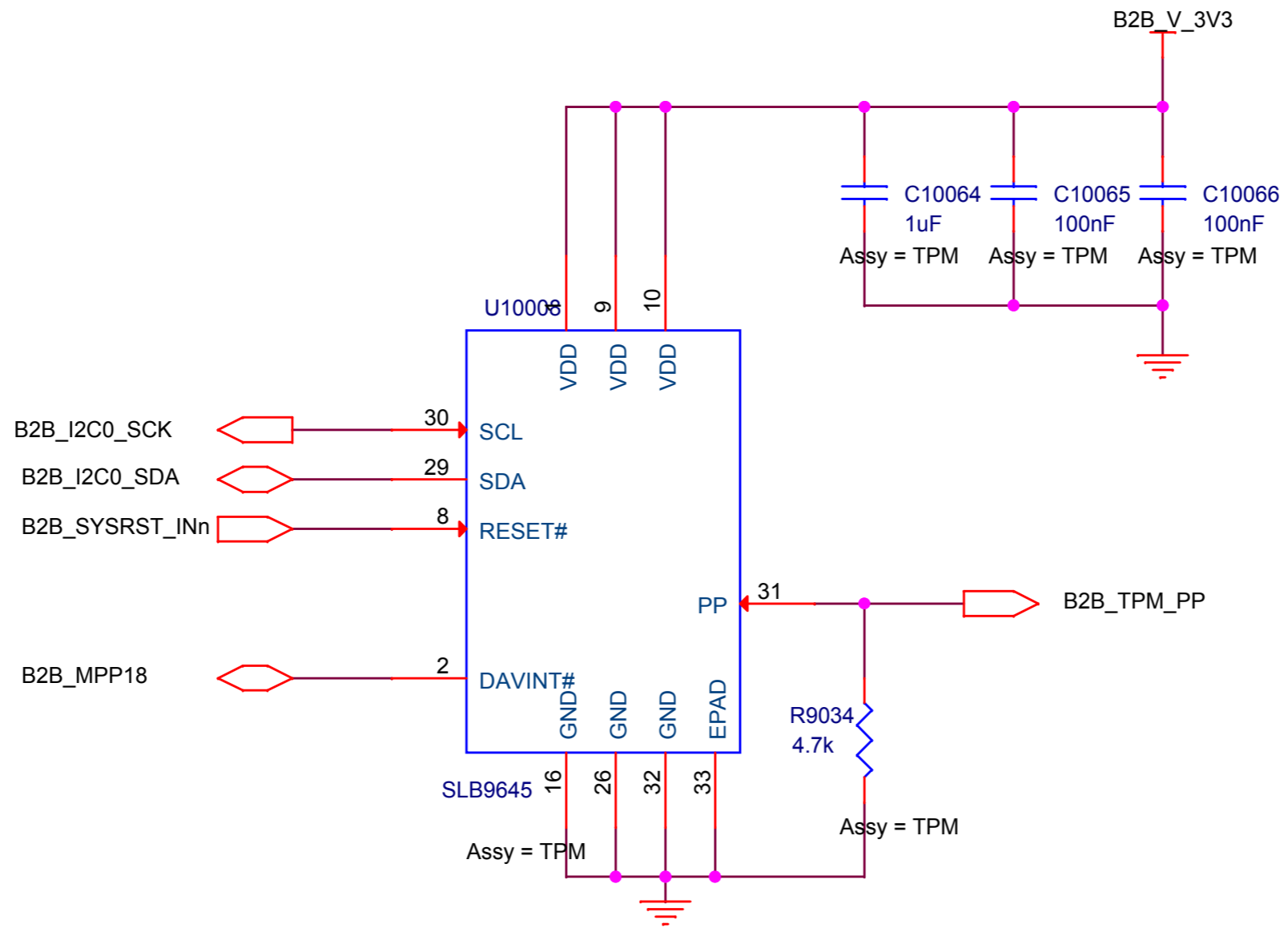


PHY Power configurations

88E1512 power configurations:
1. using internal 1v8 and 1v0 regulators.
2. VDDO_SEL config VDDO to operate at 2v5/3v3








 Copyright (c) 2015 SolidRun Ltd.
 Released under Creative Commons Attribution 3.0 Unported License
 All Rights Reserved

Size A	Title SolidRun Armada 38x MicroSoM	Rev Rev-2.0
Date: Wednesday, October 28, 2015	Sheet 6 of 6	