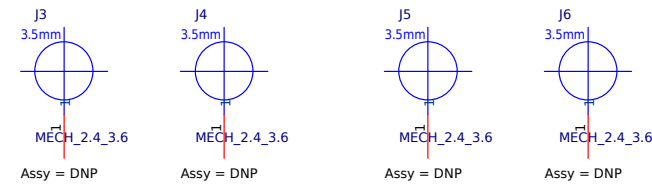
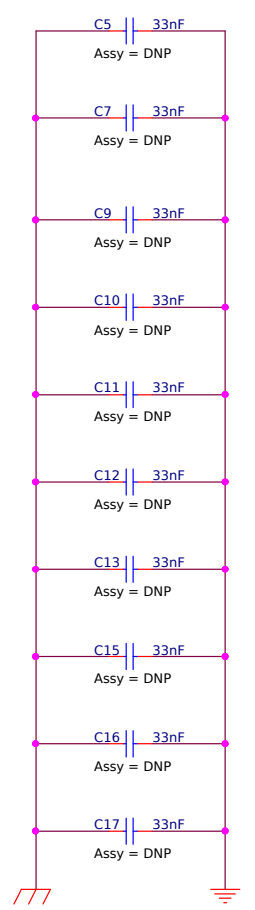


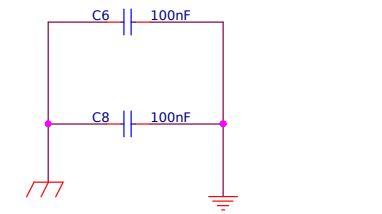
Four mechanical holes for the MicroSom



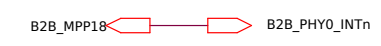
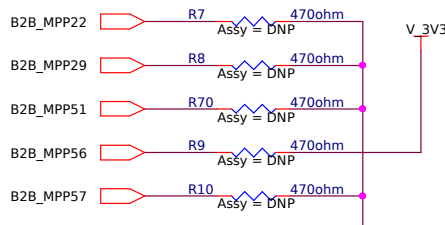
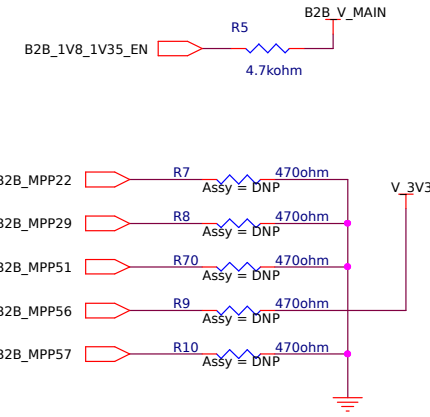
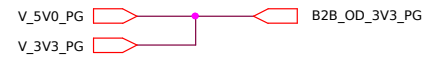
Bypass capacitors between GNDC and GND



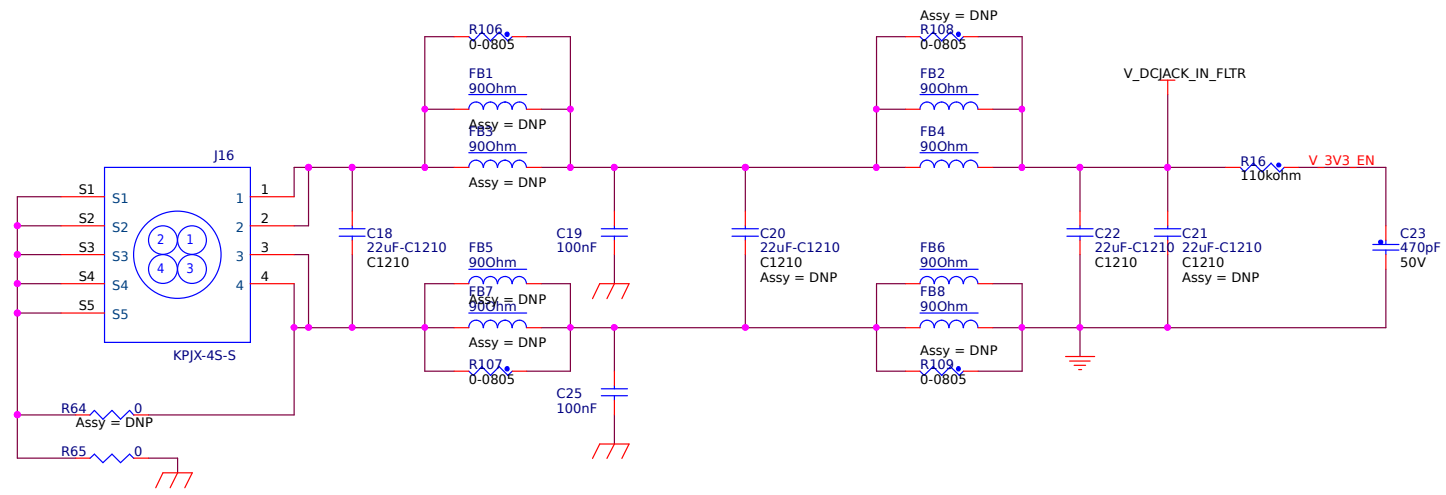
Bypass capacitors for MDIO passing underneath GNDC



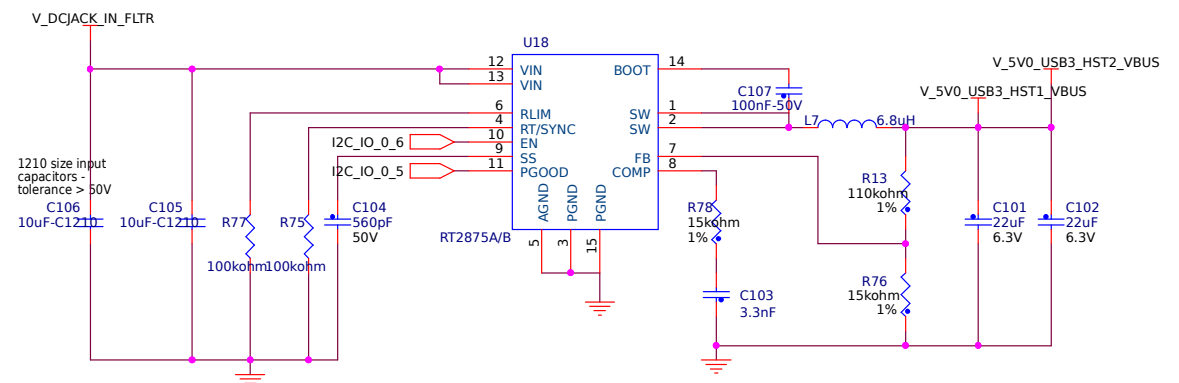
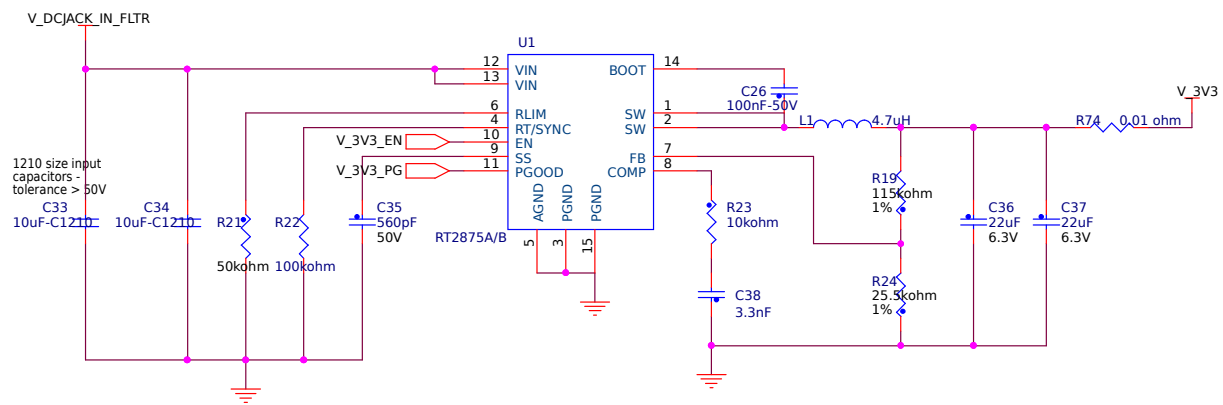
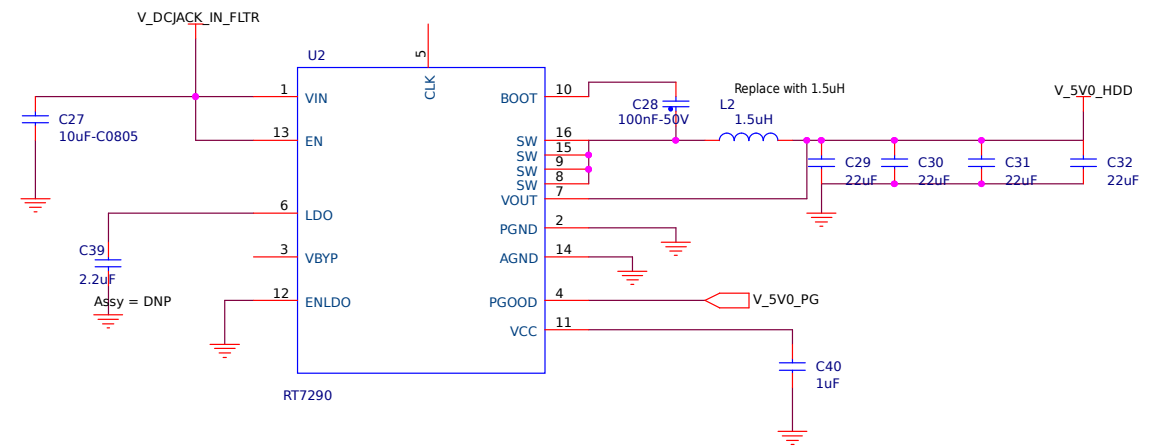
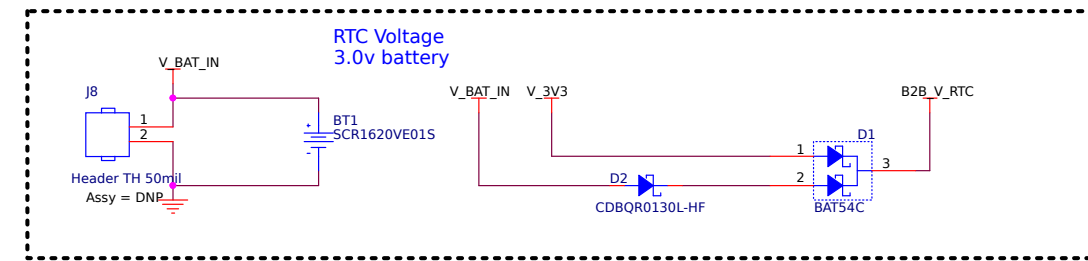
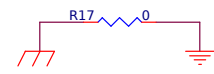
Carrier DC-DC PGOOD Signals will enable CPU DC-DC on uSoM. Signal is pulled up on uSoM.



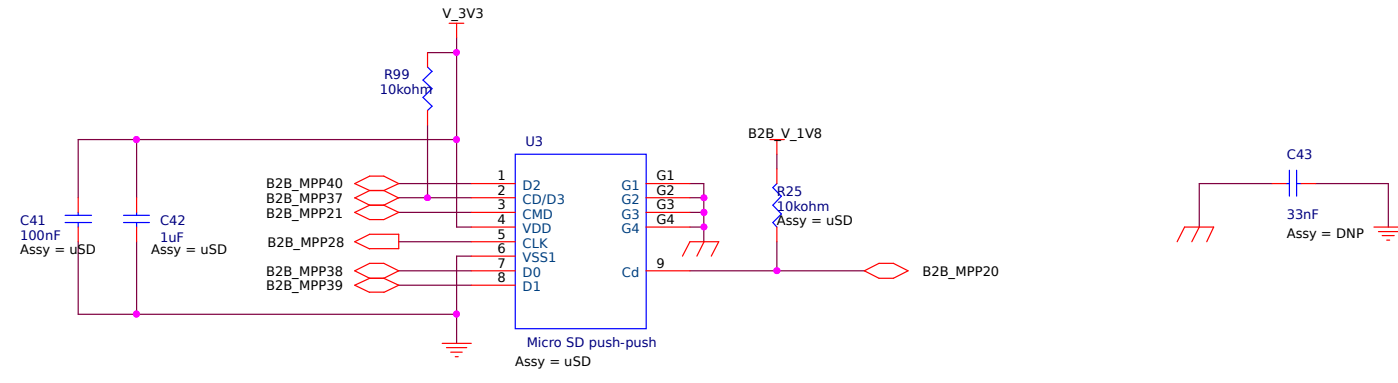
# DC Power Connector



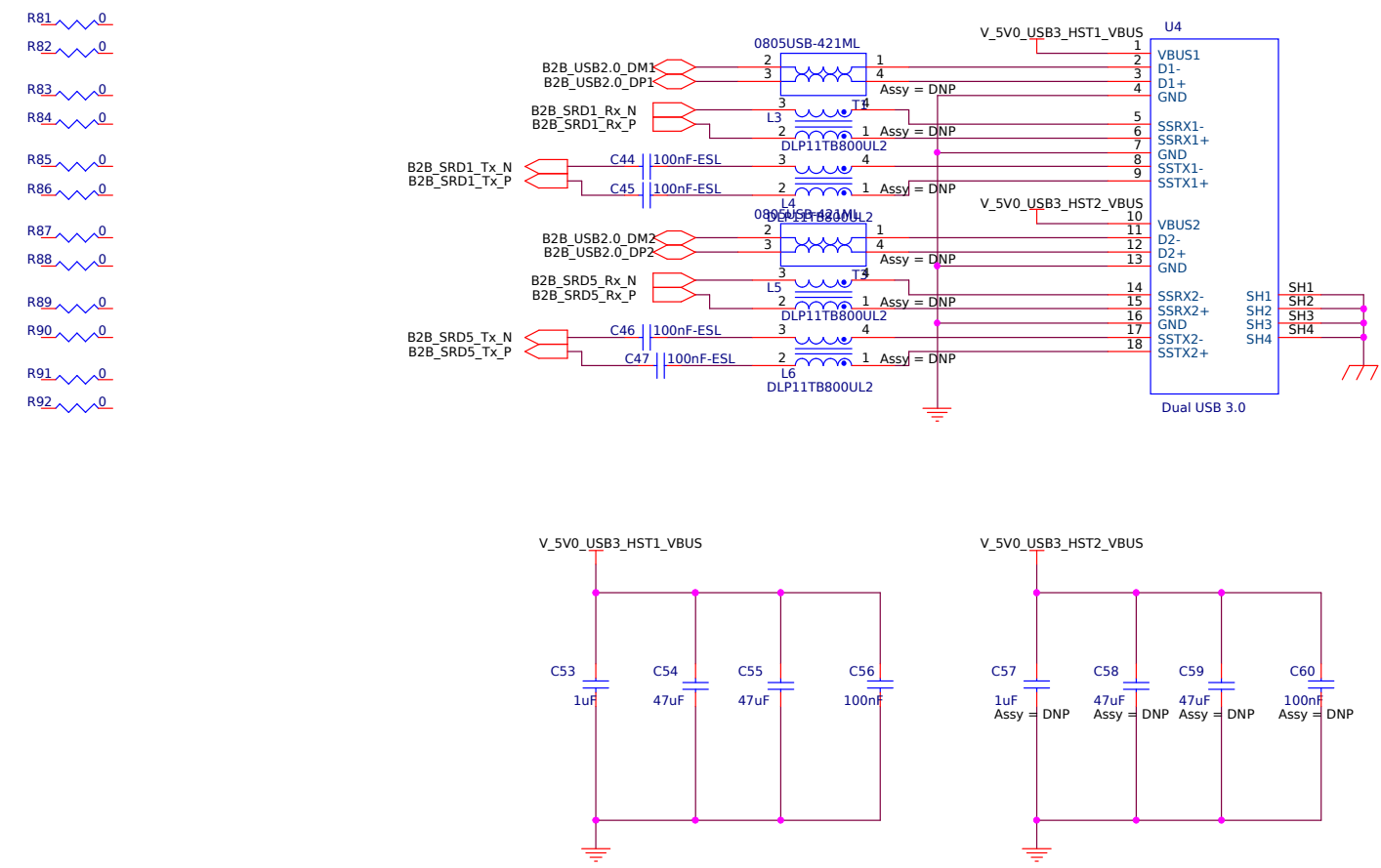
Prevent GND and GNDC DC biasing



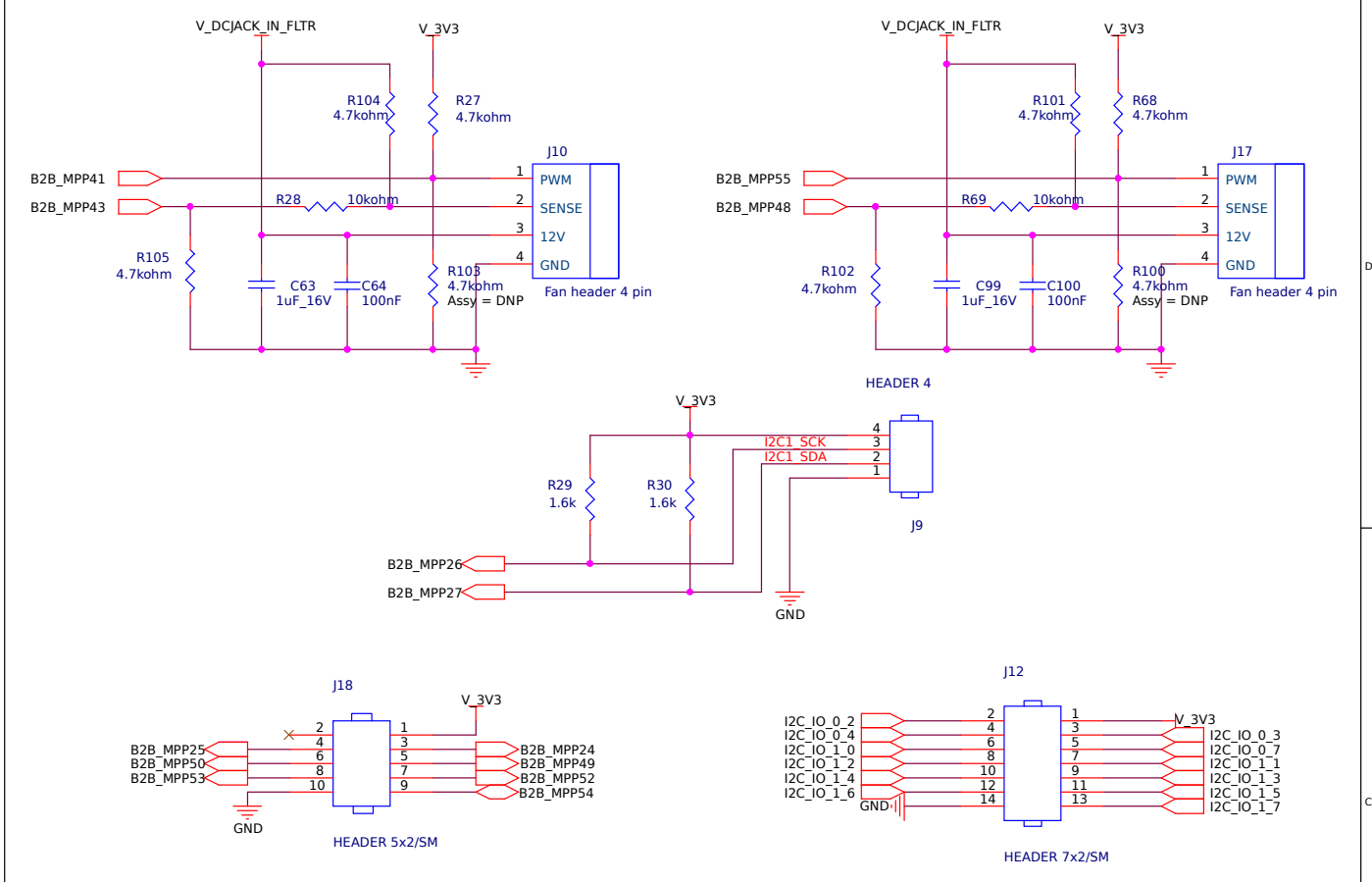
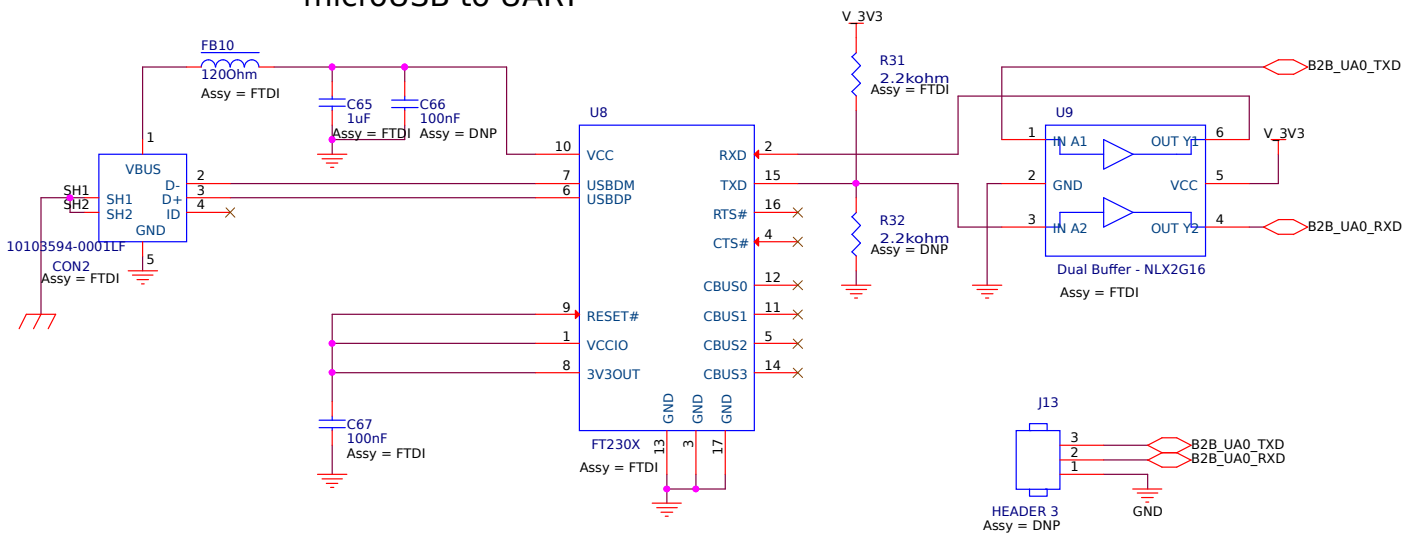
### uSD



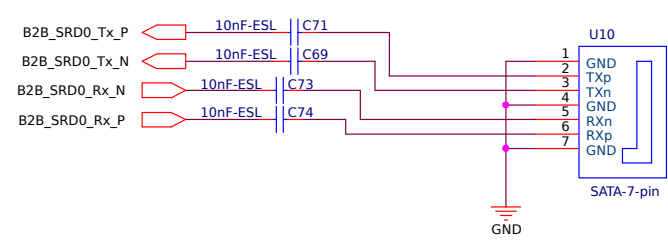
### Dual USB-3 Type A



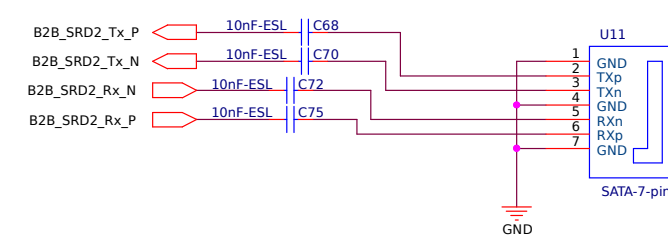
### microUSB to UART



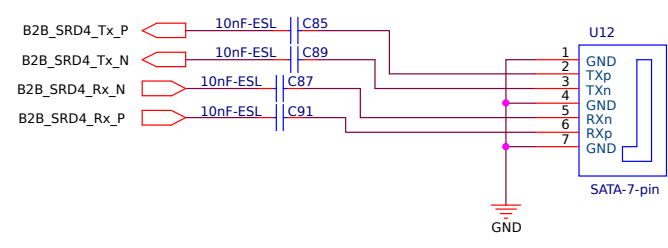
### SATA0



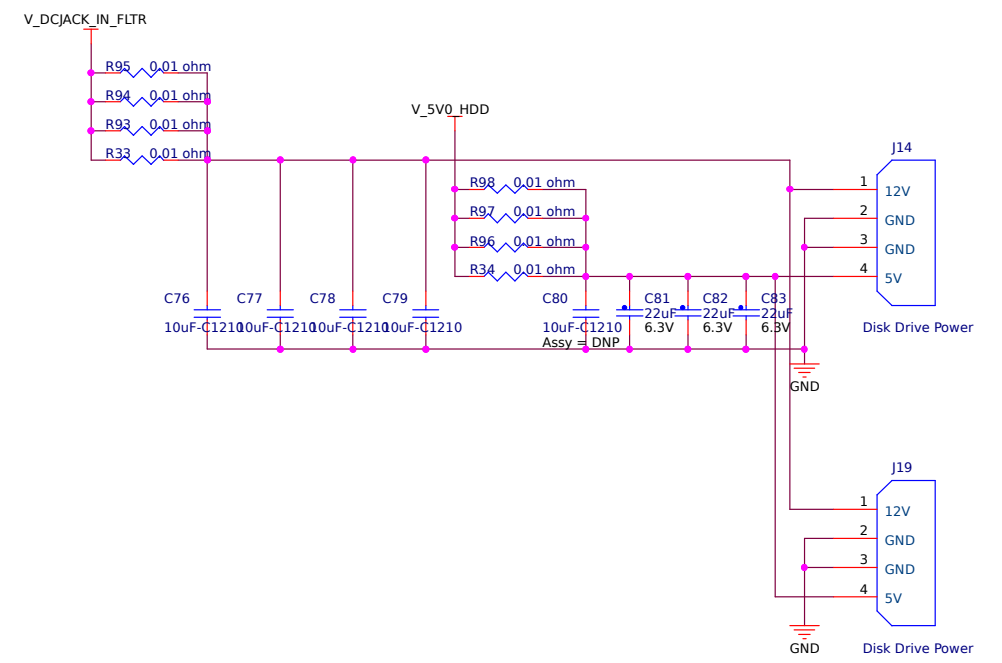
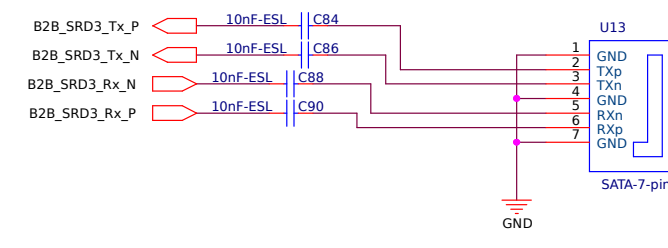
### SATA1

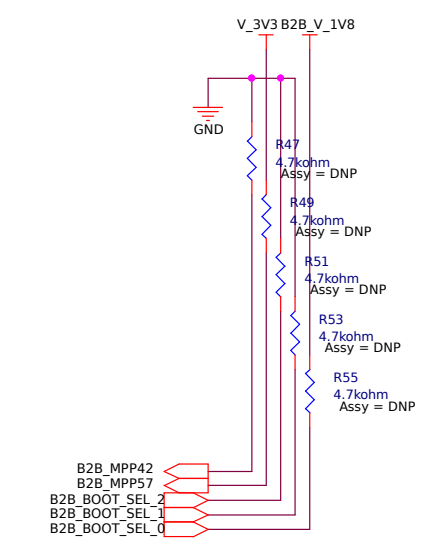
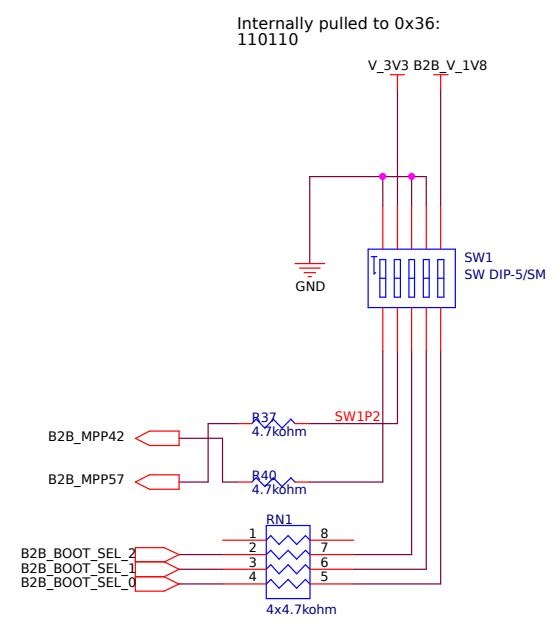


### SATA2

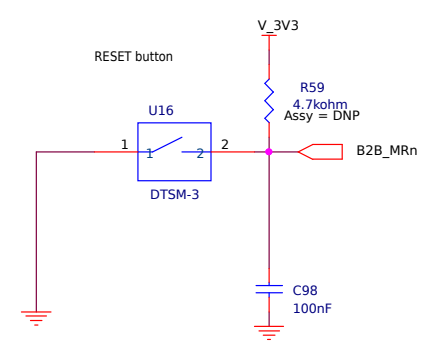
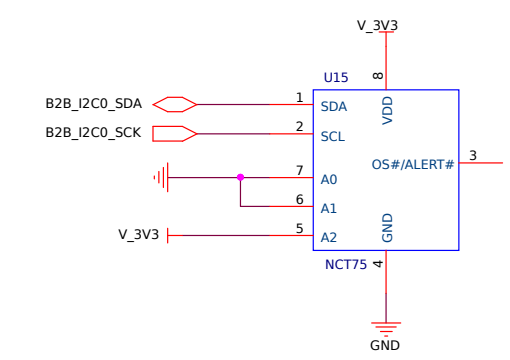
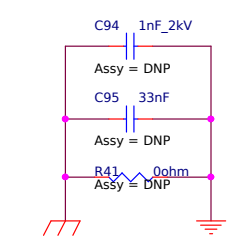
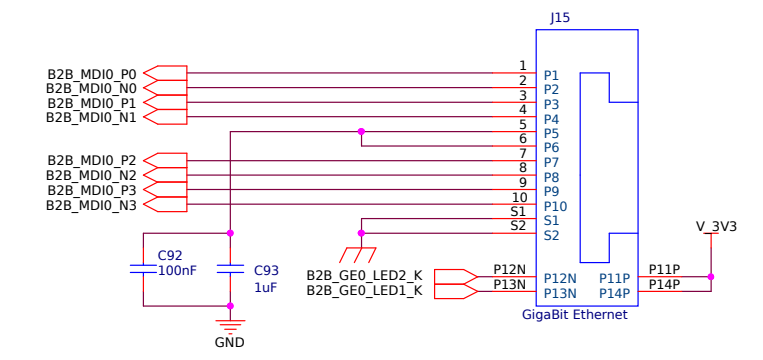
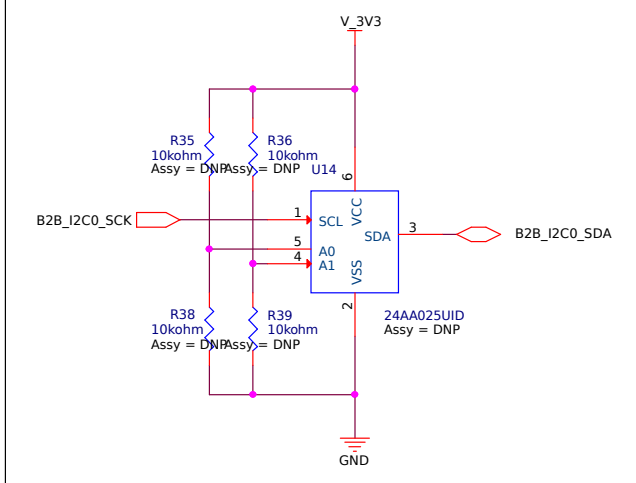
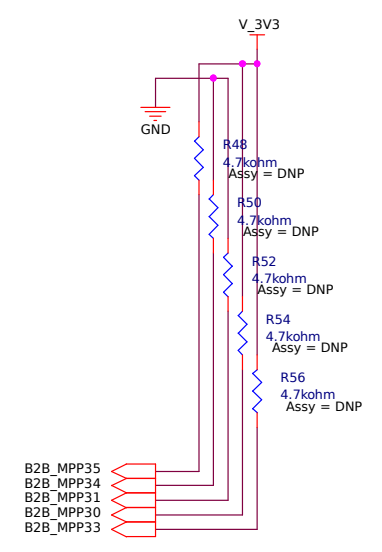


### SATA3

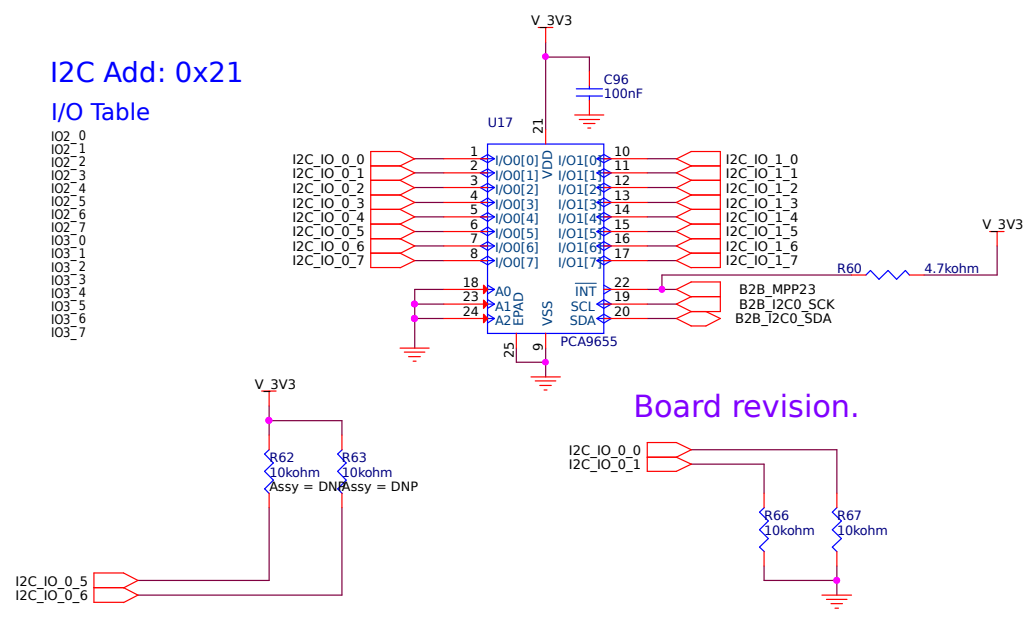




Frequency default Assy



I2C Add: 0x21  
I/O Table



Board revision.

