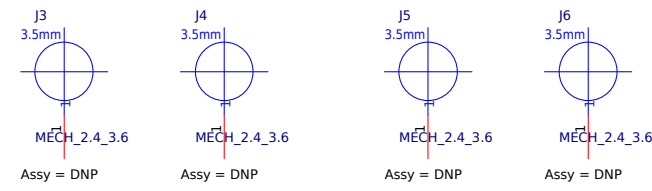
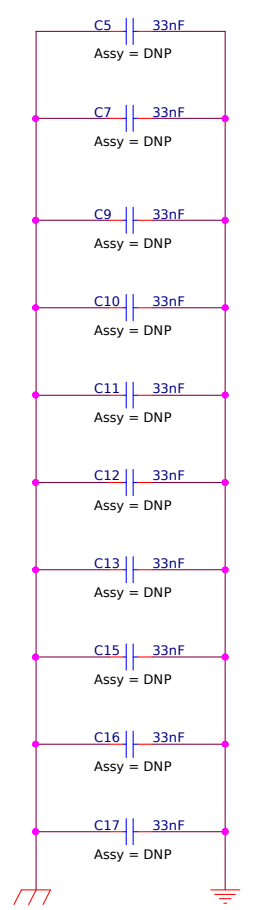


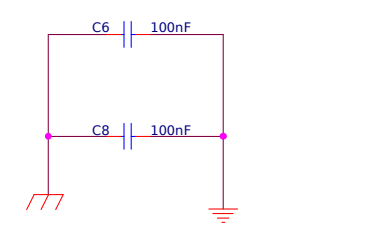
Four mechanical holes for the MicroSom



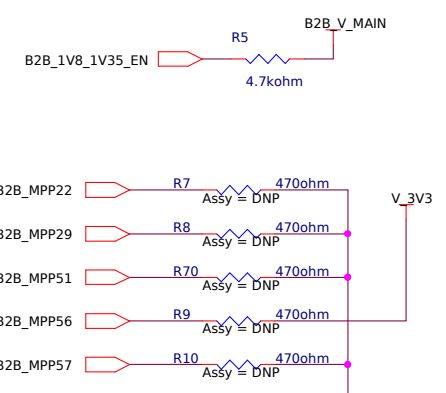
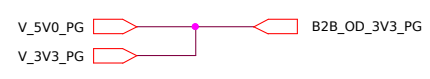
Bypass capacitors between GNDC and GND



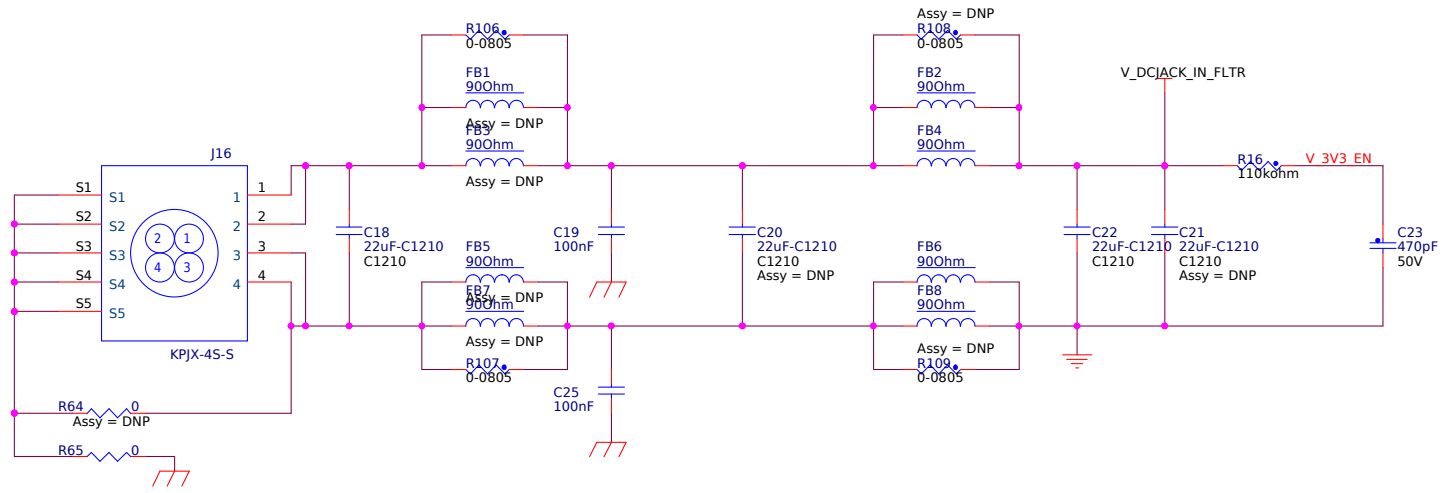
Bypass capacitors for MDIO passing underneath GNDC



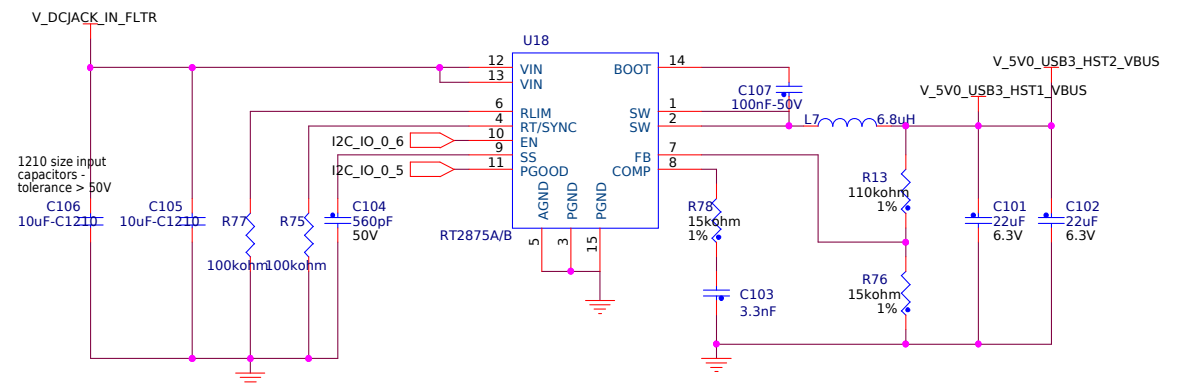
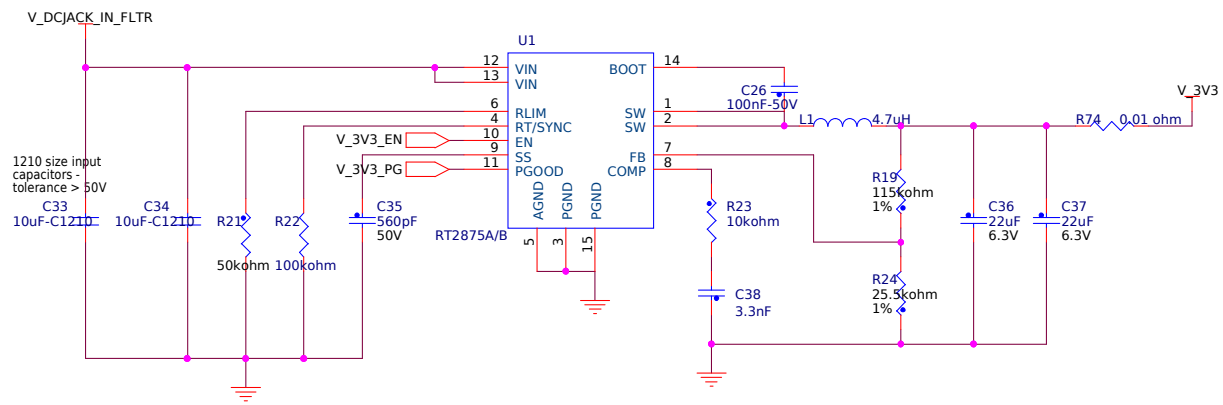
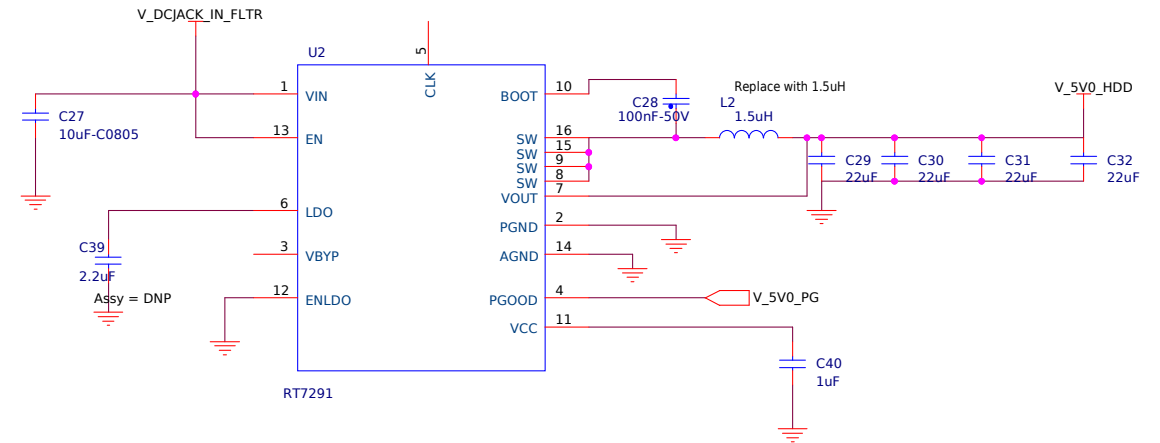
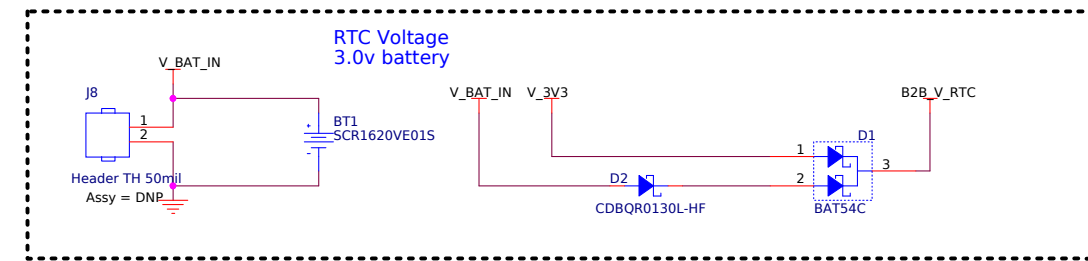
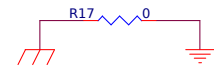
Carrier DC-DC PGOOD Signals will enable CPU DC-DC on uSom. Signal is pulled up on uSom.



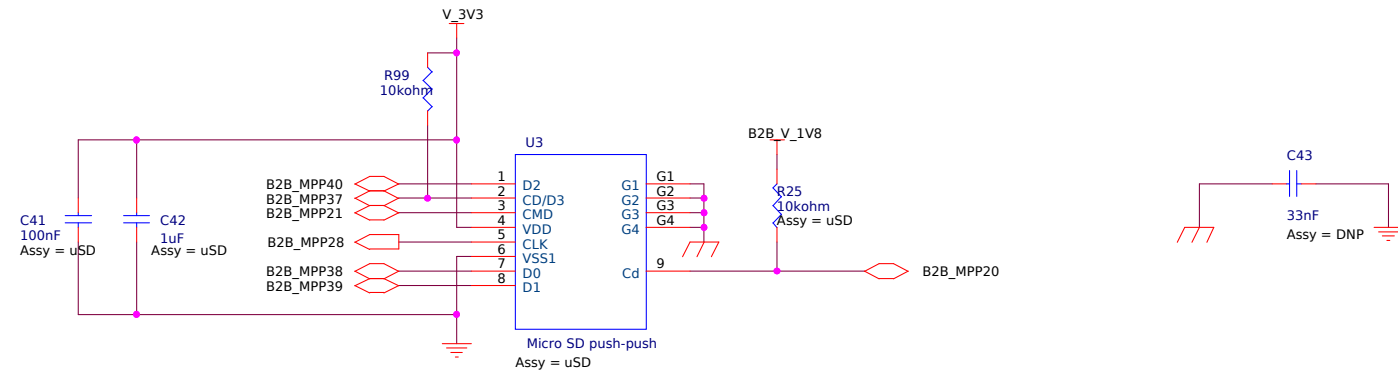
DC Power Connector



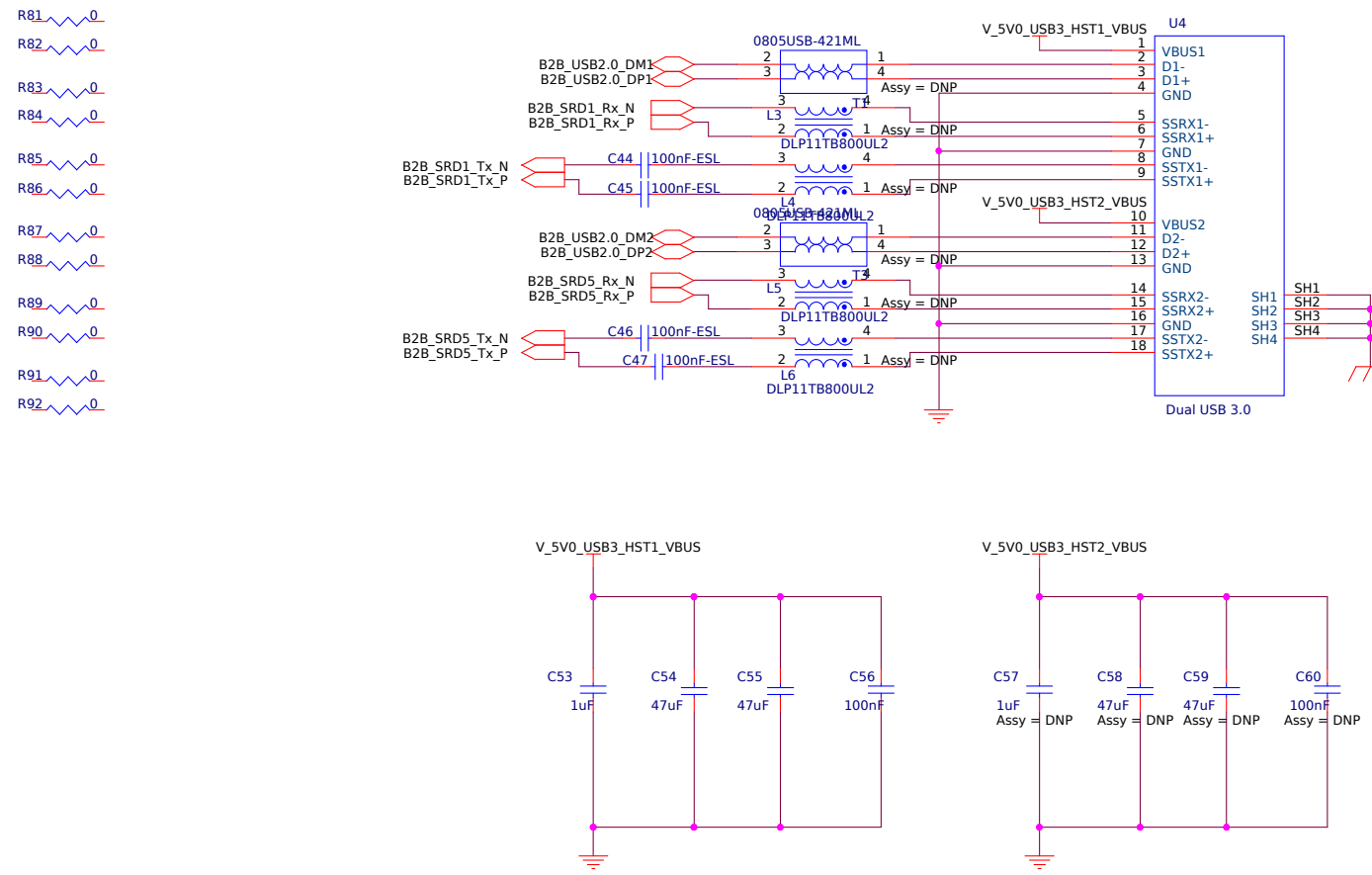
Prevent GND and GNDC DC biasing



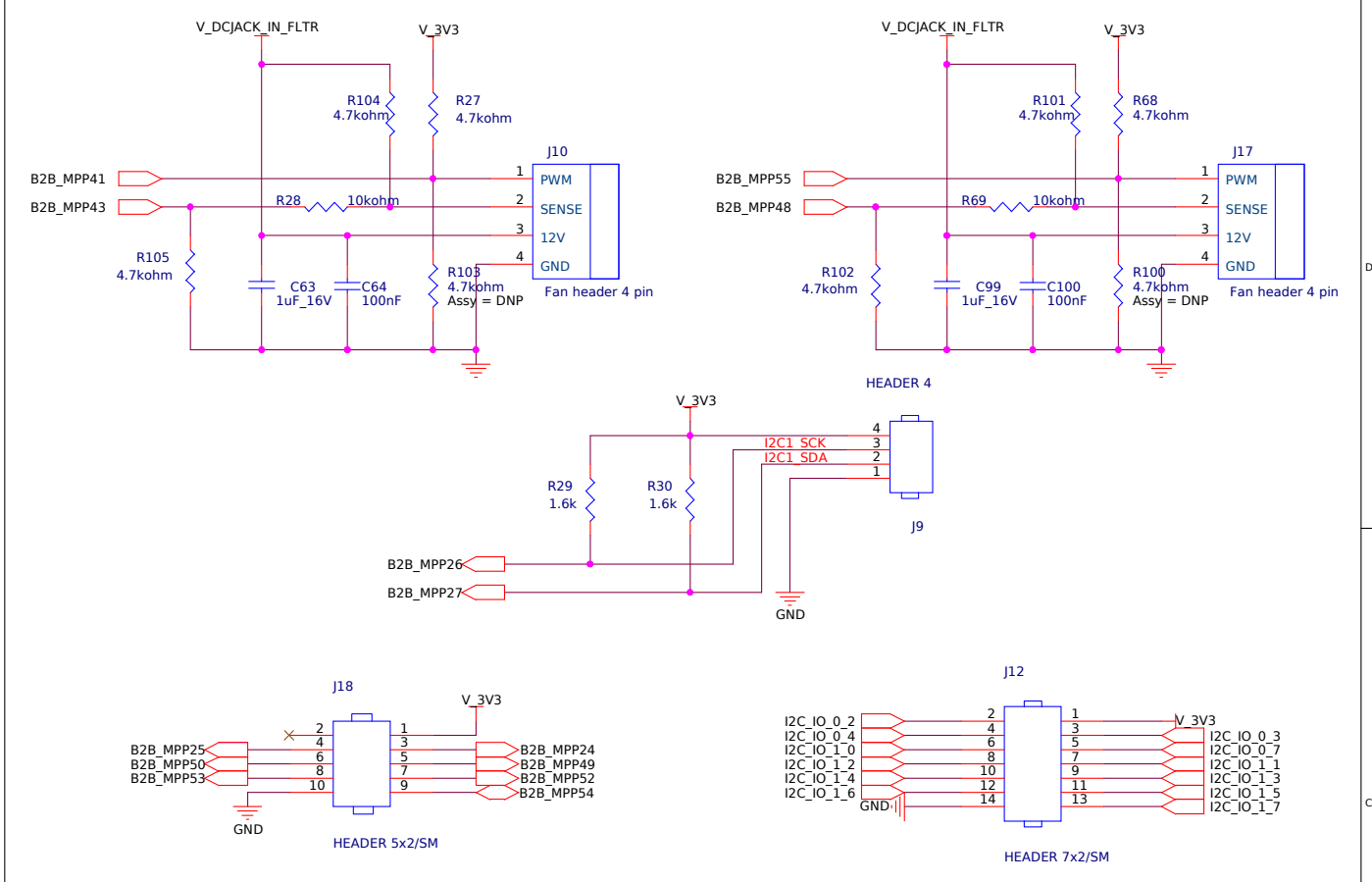
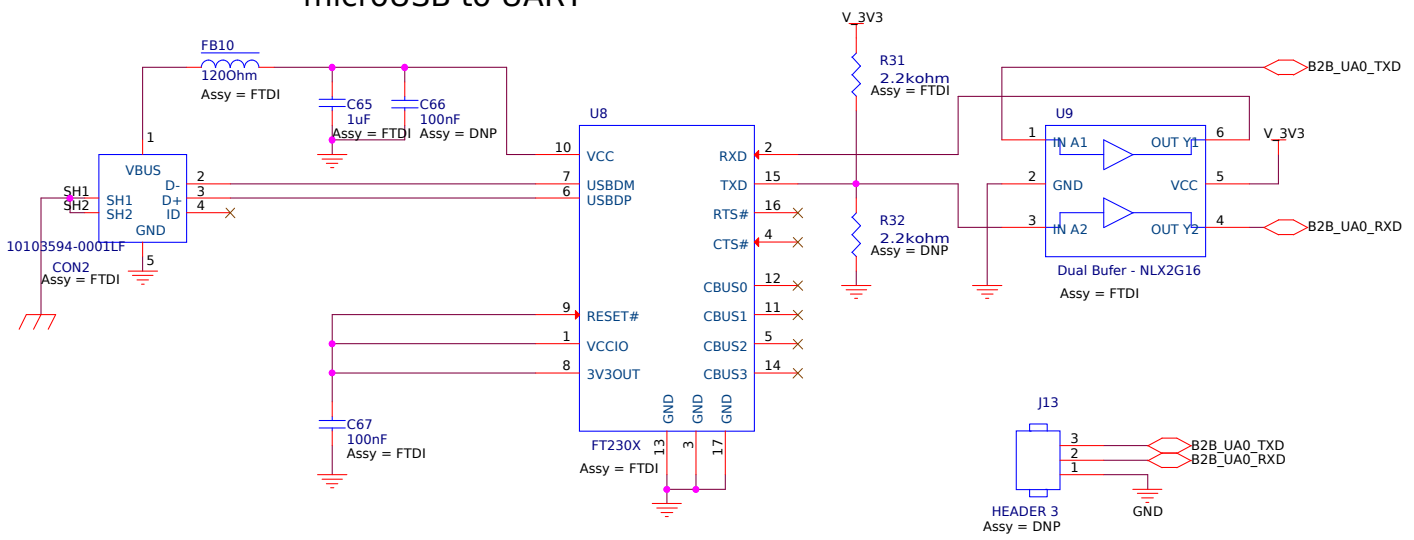
uSD



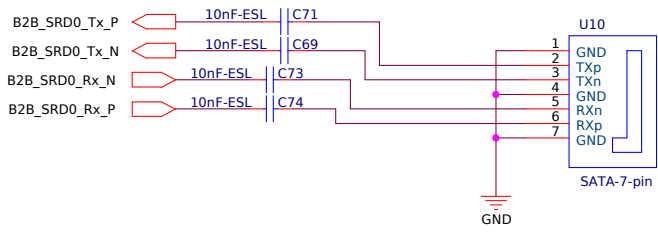
Dual USB-3 Type A



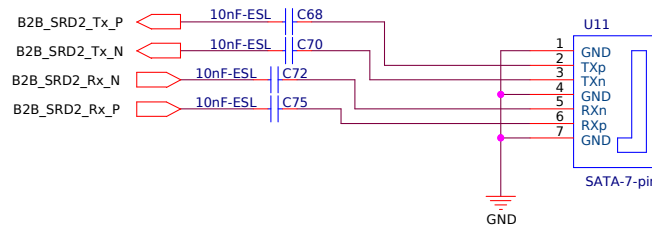
microUSB to UART



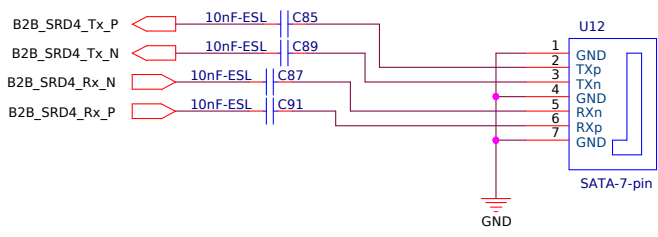
SATA0



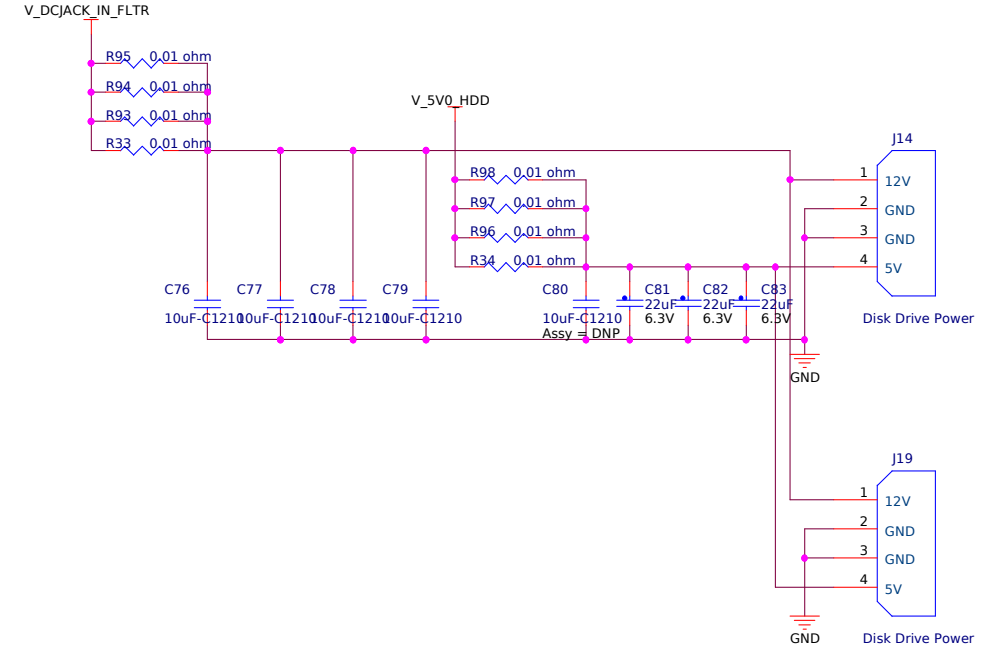
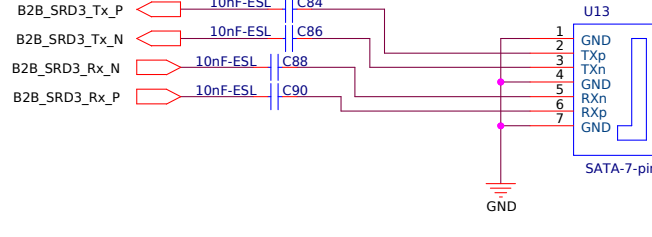
SATA1

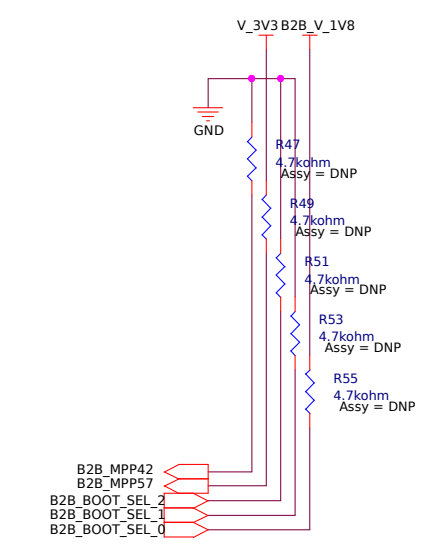
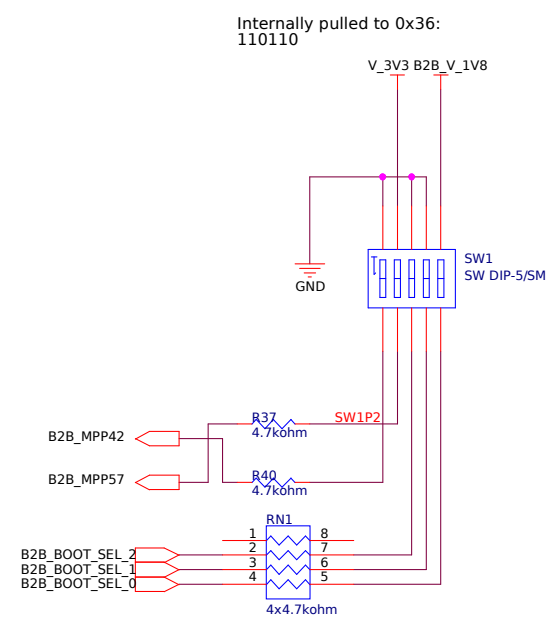


SATA2

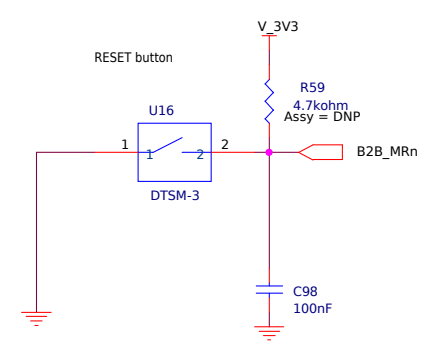
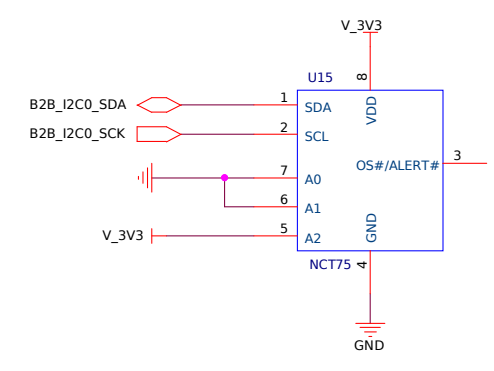
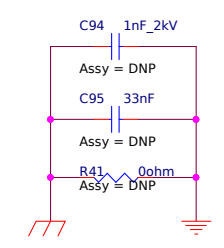
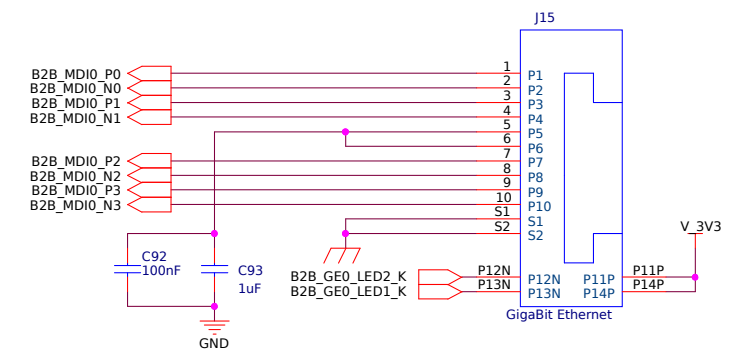
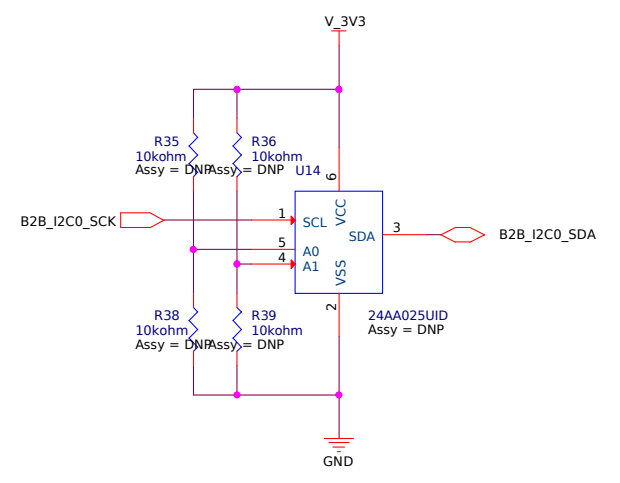
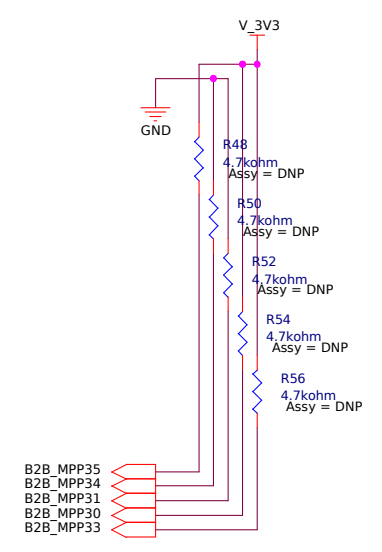


SATA3

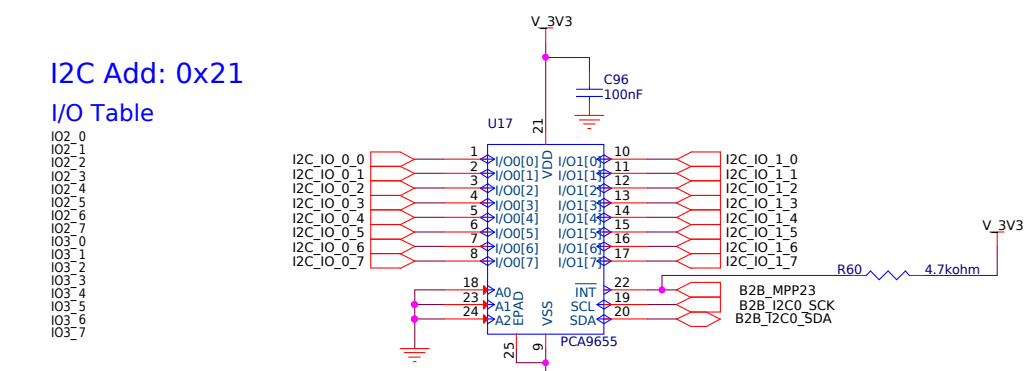




Frequency default Assy



I2C Add: 0x21
I/O Table



Board revision.

